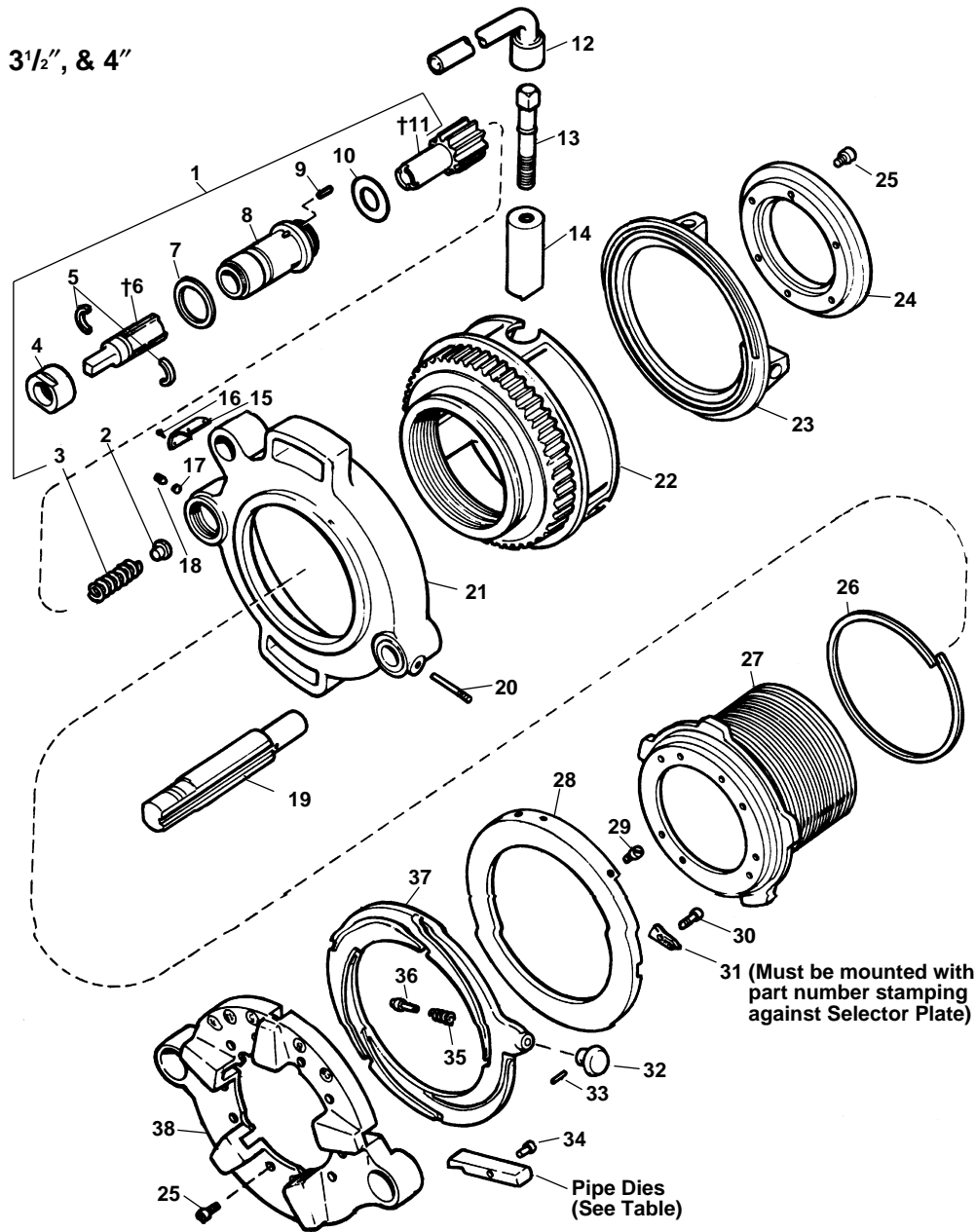


# RIDGID No. 141 Pipe & Conduit Geared Threader

Capacity: 2 1/2", 3", 3 1/2", & 4"



**NOTE: Order parts by Catalog Number only.  
DO NOT order by Reference Number.**

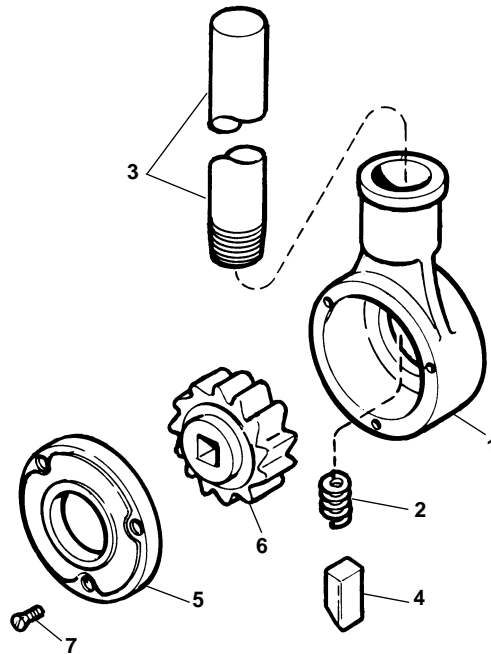
Ref. No.	Catalog No.	Description	Ref. No.	Catalog No.	Description	Ref. No.	Catalog No.	Description
1	39360	Pinion Shaft Assembly	14	39345	Workholder Jaw (3)	27	39320	NPT Threaded Barrel
2	39810	Wear Plug	15	39835	Name Plate		68090	BSPT Threaded Barrel
3	39815	Spring	16	46870	Drive Screw (4)	28	39185	NPT Selector Plate
4	39605	Pinion Shaft Retaining Collar	†17	32755	Nylon Plug		39190	BSPT Selector Plate
5	39695	Split Ring	18	58720	Set Screw		39110	Selector Plate f/Cast Iron
†6	39465	Drive Shaft	19	39330	NPT Guide Post	29	39790	Stop Screw
7	39615	Pressure Ring		68020	BSPT Guide Post	30	39830	Guide Block Screw
8	39825	Pinion Sleeve	20	39650	Guide Post Screw	31	39655	Guide Block
9	39620	Pressure Pin (3)	21	39200	Gear Case	32	39645	Knob (2)
10	39625	Pinion Shaft Ring	22	39195	NPT Workholder	33	44925	Pin (2)
†11	39470	Pinion Shaft with Gear		68040	BSPT Workholder	34	39750	Die Pins & Clips
12	39585	Wrench	23	39100	Workholder Scroll	35	39690	Spring (2)
	29056	Wrench (Europe Hex-Key)	24	39455	Retaining Ring	36	39640	Locating Pin (2)
13	39795	Clamp Screw with Clip	25	32275	Screw (16)	37	39180	Cam Plate
	29046	Clamp Screw with Clip (Europe)	26	39730	Gear Case Spring Ring	38	39175	Head

Service Notes: (Ref. No. 6) (Ref. No. 11) Early Models incorporating 39600/E-1936 Pinion Shaft and 3590/E-1935-1 Drive with 39630/E-1945-1 Centering Pin can be updated by using new style Pinion Shaft or new style Drive Shaft and discarding Centering Pin.  
(Ref. No. 17) Nylon Plug should be replaced anytime Pinion Shaft Assembly (Ref. No. 1) is removed from Gear Case.

**Ratchet and Handle**

**No. D-1440**

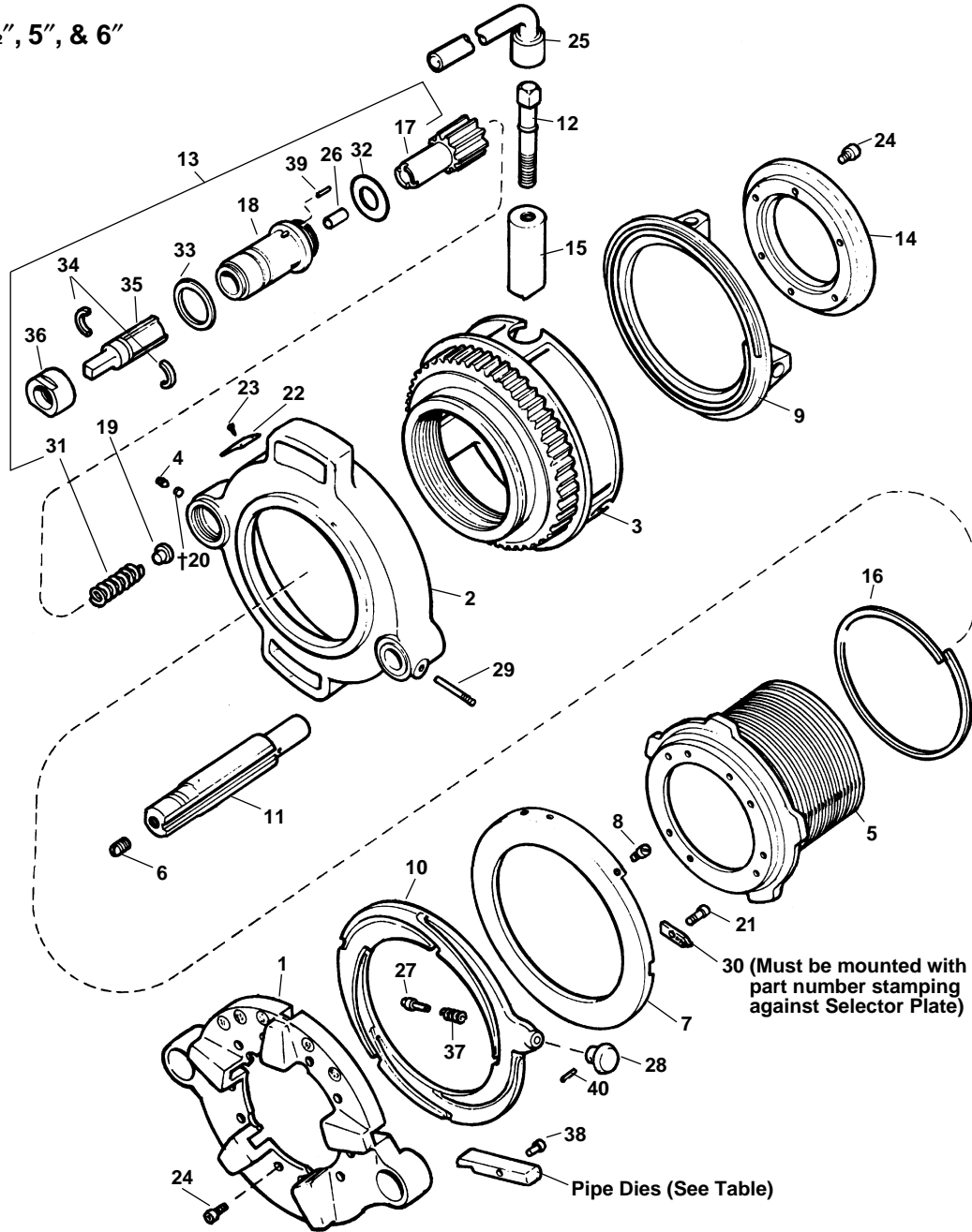
Note: Used with Nos. 4PJ, 141 and 161 Threaders. Also fits Toledo-Beaver, Nye & Armstrong 4" Geared Threaders & Cut-off Tools.



<b>Ref. No.</b>	<b>Catalog No.</b>	<b>Description</b>
1	39390	Ratchet Case
2	38695	Pawl Spring
3	39420	Handle
4	39940	Pawl
5	39800	Ratchet Cover
6	39805	Ratchet Wheel
7	39570	Cover Screw (3)

# RIDGID No. 161 Pipe & Conduit Geared Threader

Capacity: 4", 4 1/2", 5", & 6"



**NOTE: Order parts by Catalog Number only.  
DO NOT order by Reference Number.**

Ref. No.	Catalog No.	Description	Ref. No.	Catalog No.	Description	Ref. No.	Catalog No.	Description
1	39085	Head	12	39795	Clamp Screw with Clip	29056	29056	Wrench (Europe - Hex Key)
2	39090	Gear Case	13	39325	Pinion Shaft Assembly	26	39630	Center Pin
3	39095	Workholder (NPT)	14	39350	Retaining Plate	27	39640	Locating Pin (2)
	67990	Workholder (BSPT)	15	39355	Workholder Jaw (3 per set)	28	39645	Knob (2)
4	58720	Set Screw	16	39430	Gear Case Spring Ring	29	39650	Screw
5	39160	Threaded Barrel (NPT)	17	39365	Pinion Shaft with Gear	30	39655	Guide Block
	68010	Threaded Barrel (BSPT)	18	39435	Pinion Sleeve	31	39660	Spring
6	39780	Set Screw	19	39810	Wear Plug	32	39665	Pinion Shaft Ring
7	39165	Selector Plate (NPT)	†20	32755	Nylon Plug	33	39670	Pressure Ring
	68015	Selector Plate (BSPT)	21	39830	Guide Block Screw	34	39675	Split Ring
	39115	Selector Plate (Cast Iron)	22	39840	Name Plate	35	39680	Drive Shaft
8	39790	Stop Screw	23	46870	Drive Screw (4)	36	39685	Retaining Collar
9	39105	Workholder Scroll	24	32270	Screw (16)	37	39690	Spring (2)
10	39310	Cam Plate	25	39585	Wrench	38	39700	Die Pin and Clip (Set of 5)
11	39315	Guide Post (NPT)				39	39705	Pressure Pin (3)
	68080	Guide Post (BSPT)				40	44925	Pin (2)

† Service Note: Nylon Plug (Ref. No. 21) should be replaced any time pinion shaft assembly (Ref. No. 13) is removed from gear case